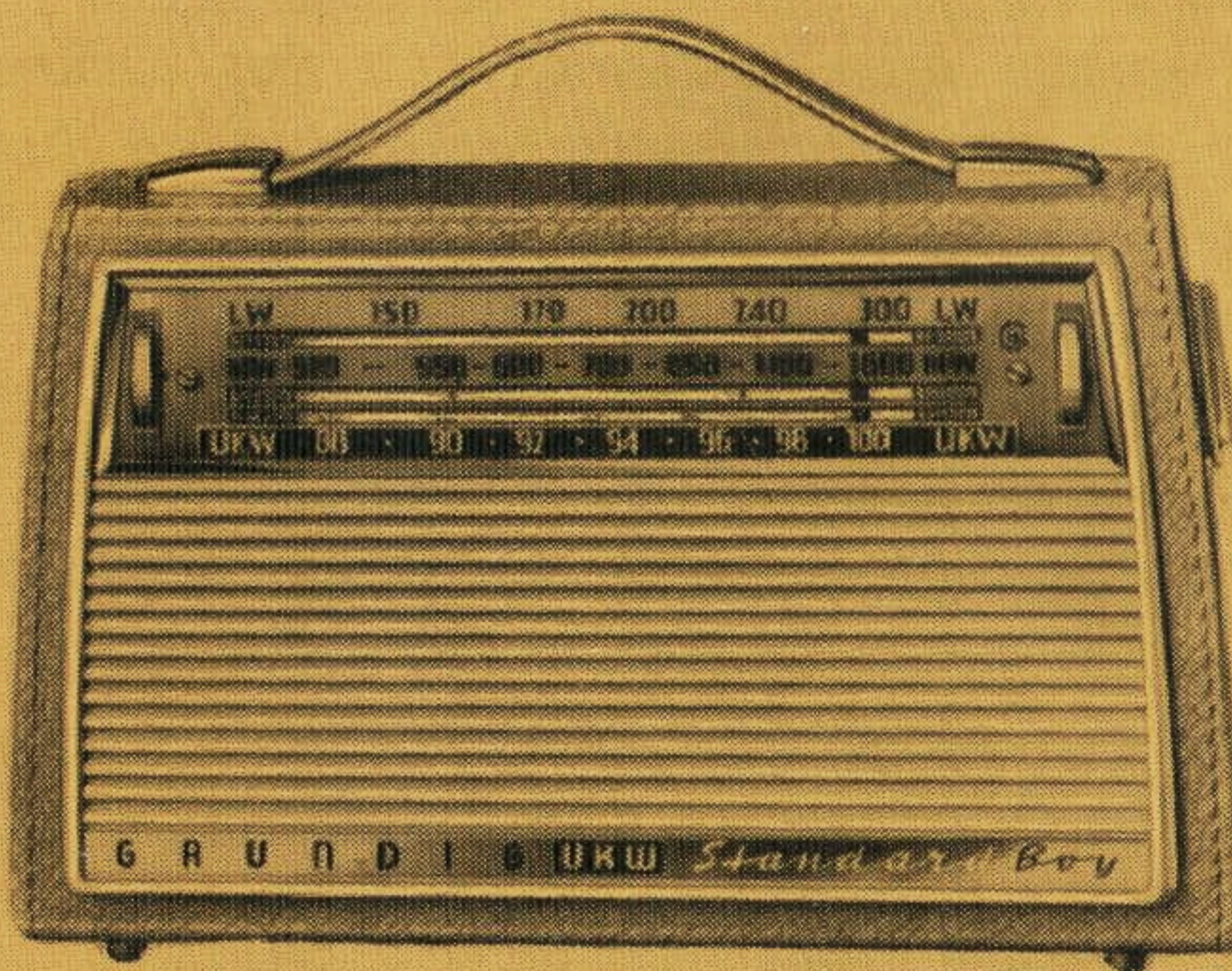


GRUNDIG

UKW

Standard-Boy 201



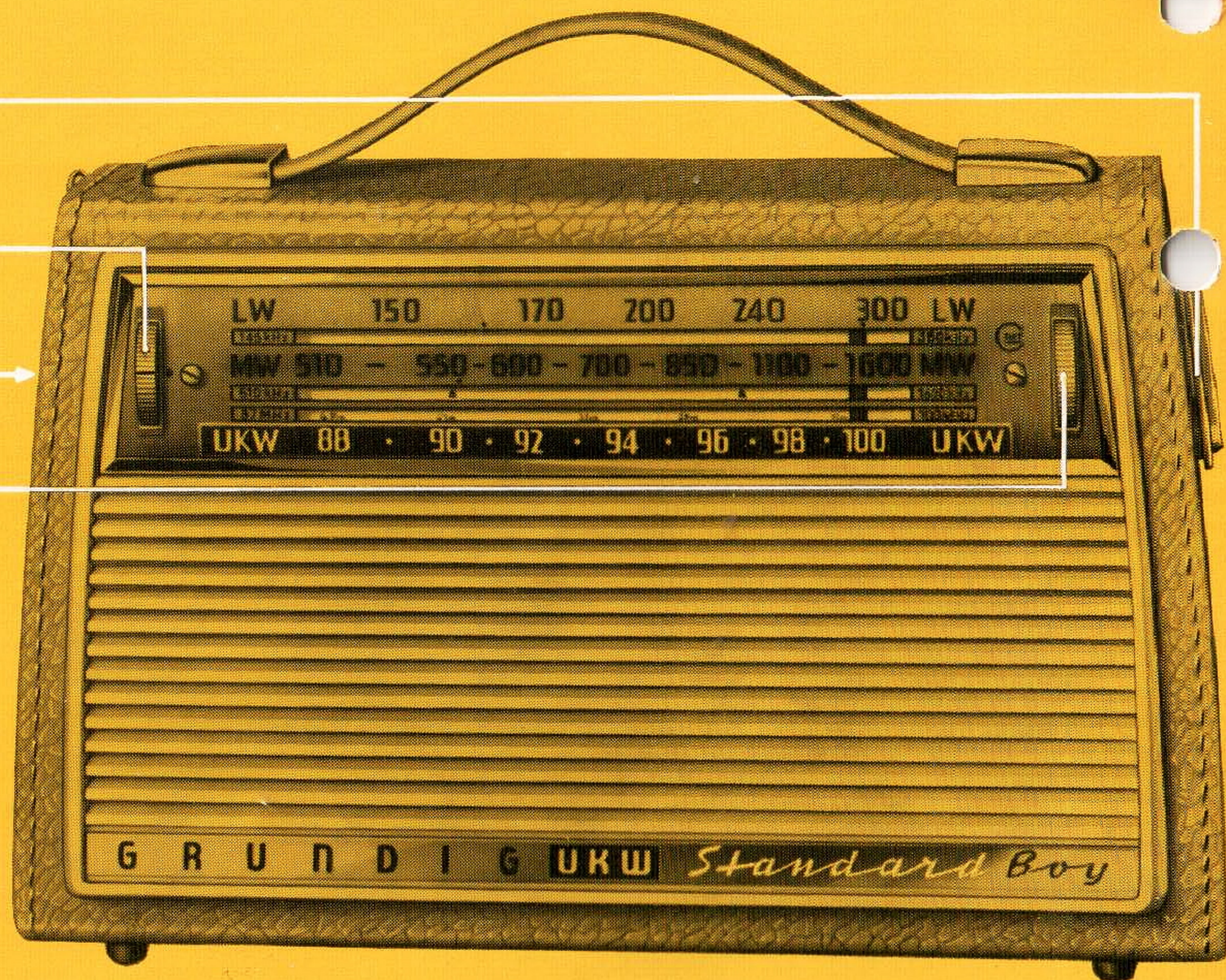
BEDIENUNGSANLEITUNG
OPERATING INSTRUCTIONS

Wellenschalter
WAVELENGTH SELECTOR

Ein - Aus
Stärkereger
ON/OFF SWITCH and
VOLUME CONTROL

Klangregler
TONE CONTROL

Welleneinstellung
WAVELENGTH CONTROL



Klangregler
TONE CONTROL

Außenlautsprecher
EARPHONE

Teleskop-Antenne
(ausziehbar)
TELESCOPIC ANTENNA

Linke Seitenansicht
VIEW OF THE LEFT SIDE



Rechte Seitenansicht
VIEW OF THE RIGHT SIDE

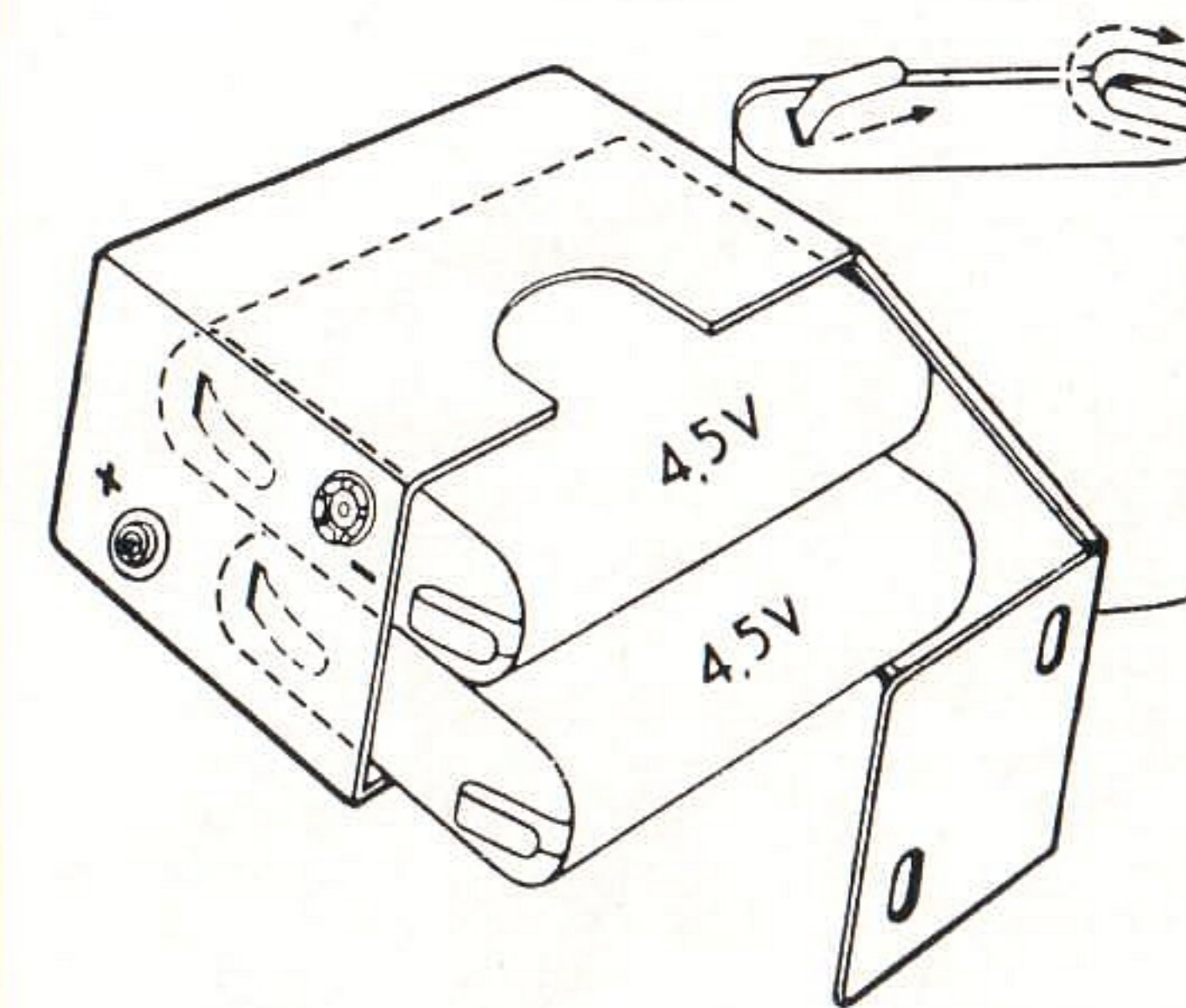
Batterien

2 x 4,5 V-Flachbatterien
oder eine 9 V-Batterie
ohne Batteriebehälter

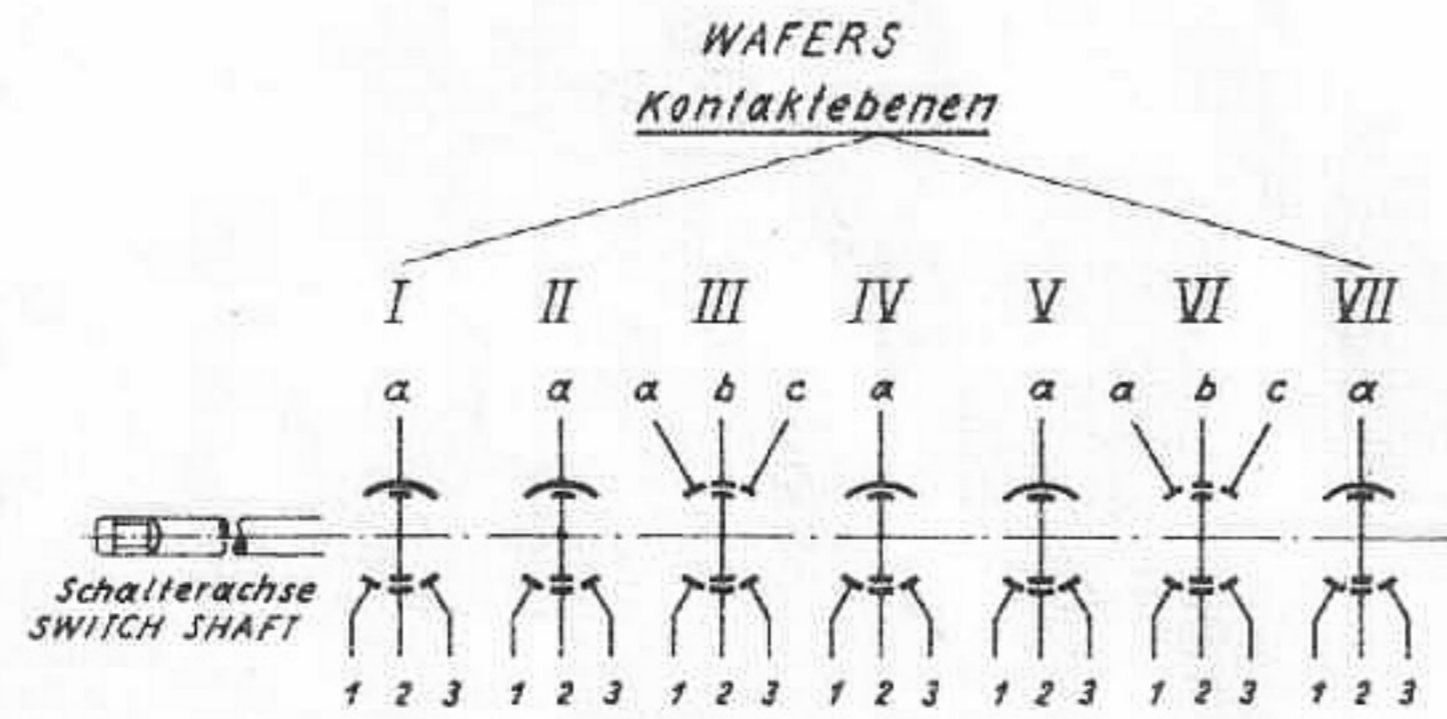
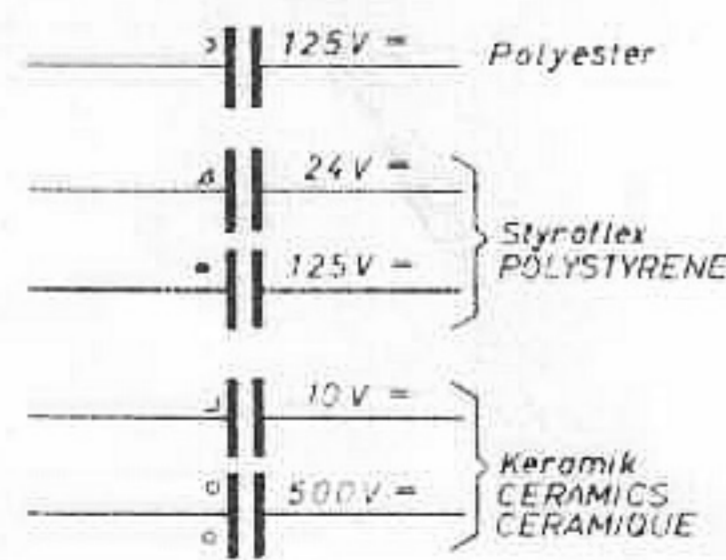
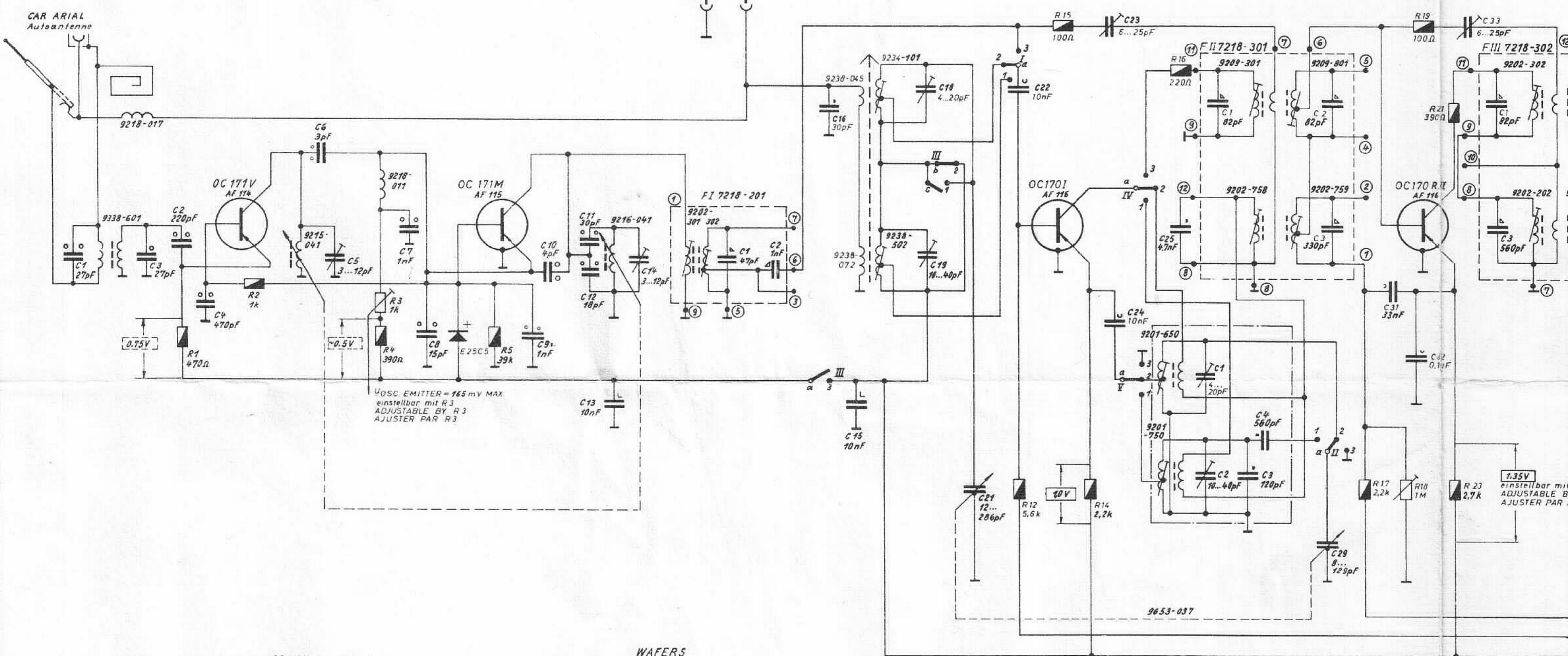
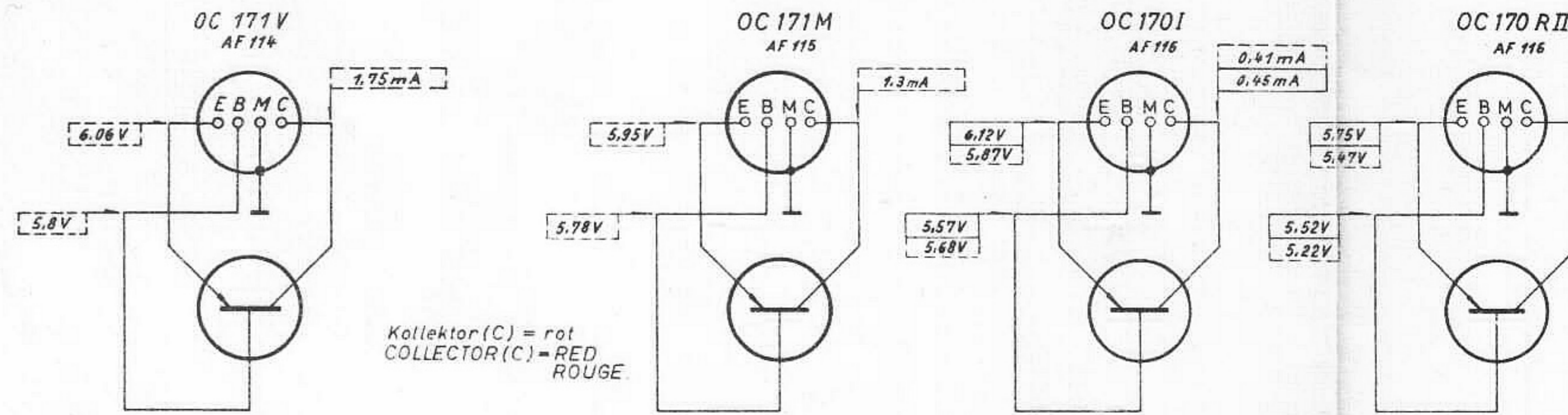
Batteries

2 x 4.5 V flat batteries
or one 9 V battery w/o container

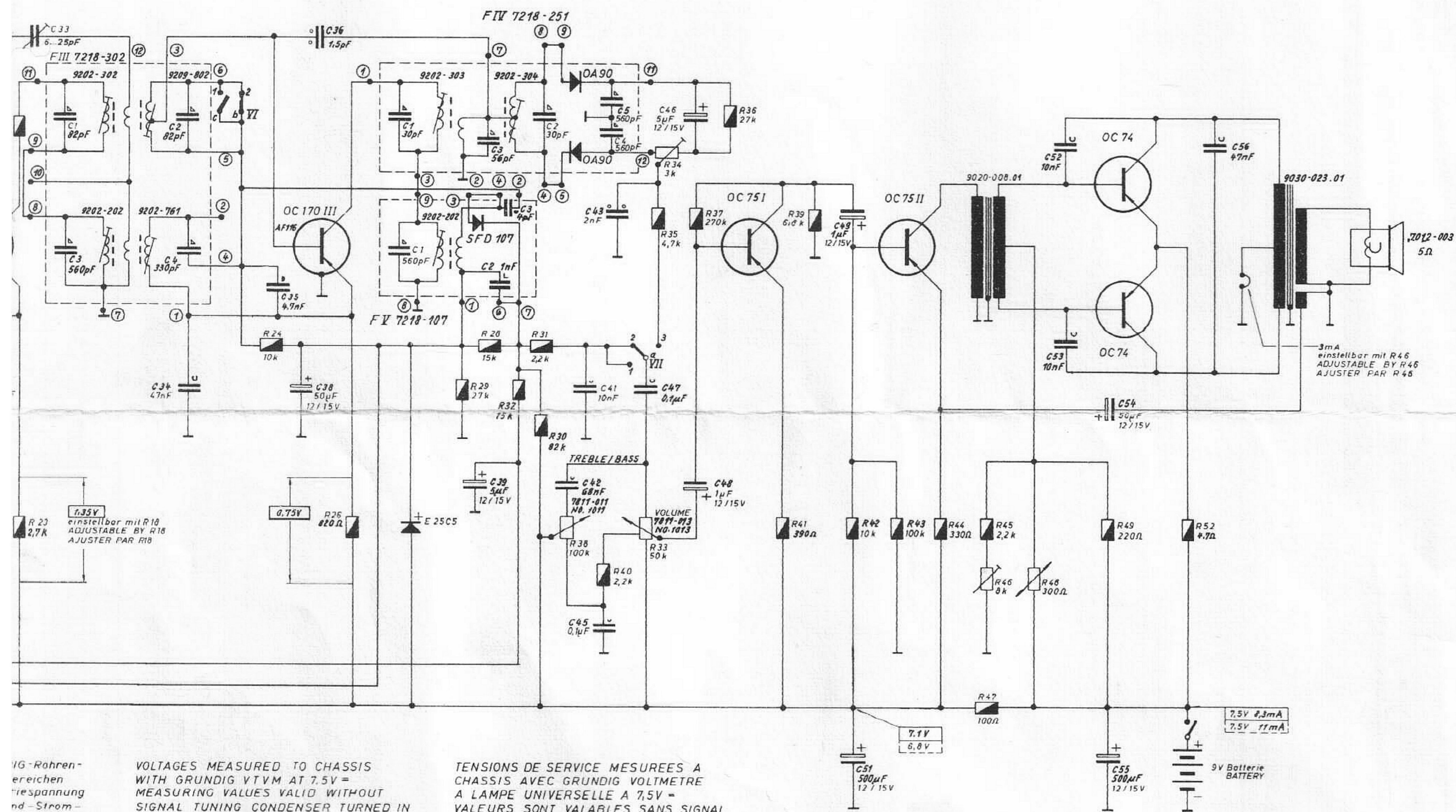
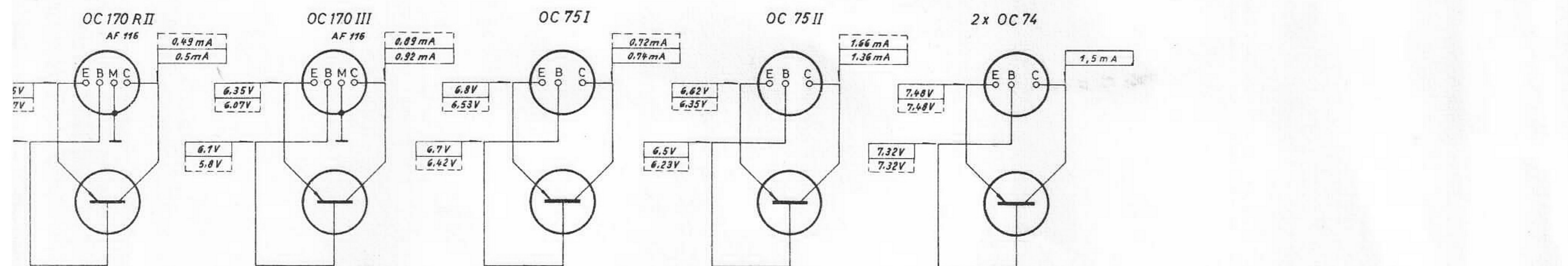
4.5 V = Pertrix 210, Baumgarten 15
9 V = Pertrix 439, Baumgarten 495,
Eveready 276, Daimon EB 39
Berec PP 9



Batterien
BATTERIES



C:	1,	3,	2,	4,	6,	5,	7,	8,	9,	10,	11,	12, 13,	14,	15, 16,	18, 19,	21,	22,	23,	24, 25,	29,	31,	32,	33,
R:	1,	2,	3, 4,	5,	3, 4,	5,	12,	15,	14,	12,	15,	14,	16,	17,	18, 19,	23,	16,	2, 3,	17,	18, 19,	23,	16,	23,
	FI C: 1, 2,												FII C: 1,				FIII C: 1, 3,						



IG-Röhren-
erreich
iespannung
nd-Strom-
rehtem Drehko
KW

VOLTAGES MEASURED TO CHASSIS
WITH GRUNDIG VTVM AT 7.5V =
MEASURING VALUES VALID WITHOUT
SIGNAL TUNING CONDENSER TURNED IN
[MW, LW] [FM]

TENSIONS DE SERVICE MESUREES A
CHASSIS AVEC GRUNDIG VOLTMETRE
A LAMPE UNIVERSELLE A 7.5V =
VALEURS SONT VALABLES SANS SIGNAL
CONDENSATEUR VARIABLE FERME
[OM, GO] [FM]

Alterations Reserved

Modifications Reserves

39,	36,	35, 36, 38,	39,	41, 42, 43, 45, 46, 47, 48,	49, 51,	52, 53, 54, 55,	56,		
23,	24,	26,	29, 28, 32, 31, 30, 38,	44, 33, 34, 35,	37, 36,	39, 41,	42, 43, 44, 47, 45, 46, 48,	49,	52,
F III C. 1, 3,	2, 4,	F V C. 1,	2, 3, F IV C. 1, 3,	2, 4, 5,					

GRUNDIG WERKE FÜRTH (BAY.)
UKW Standard Boy 201
(14-1200-1101/S)